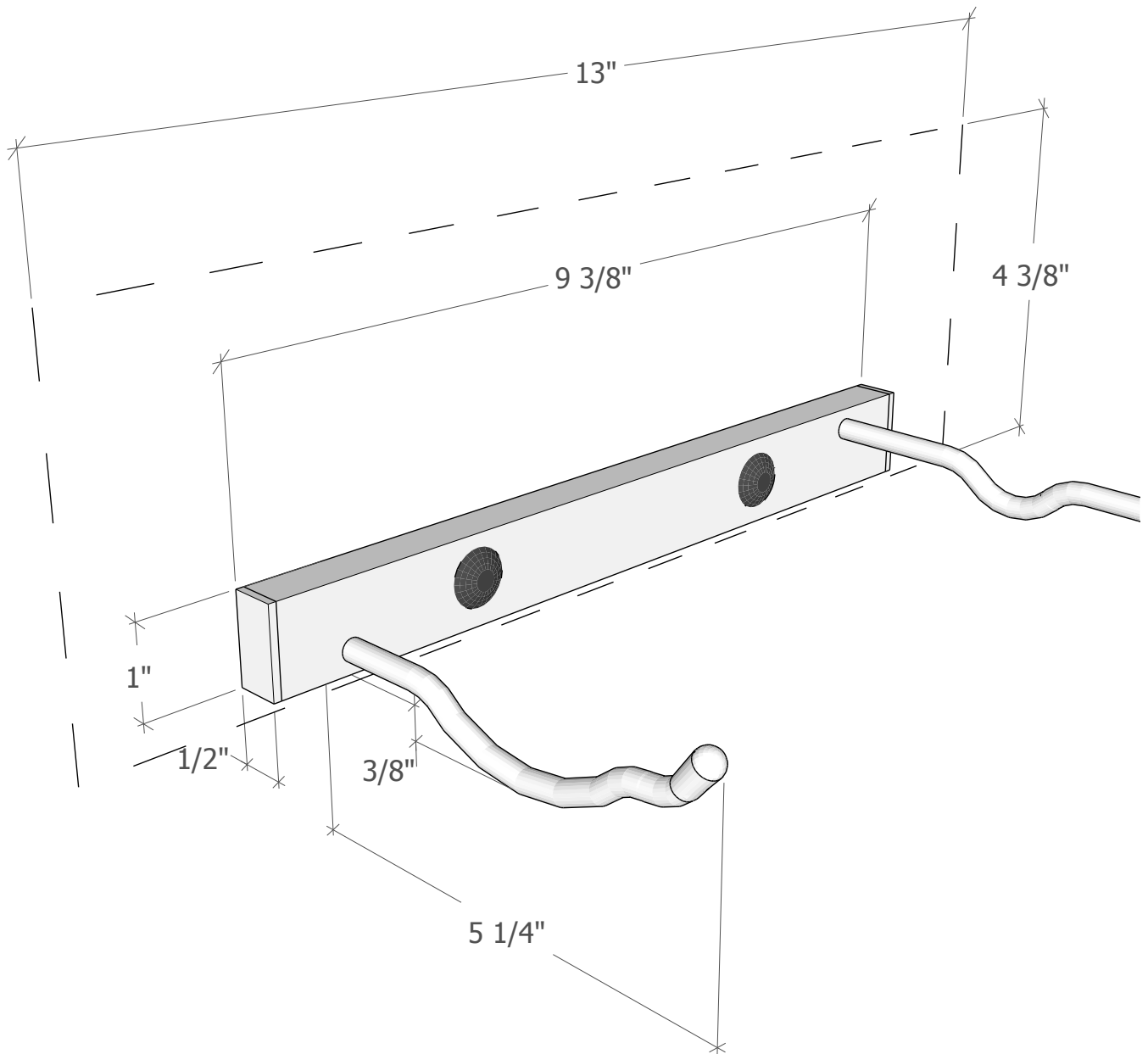


W Series Single

Spec sheet for WS-LEFT, WS-RIGHT, 1-bottle wine rack



VintageView recommends 13 inches overall width allowance for most wine bottles.

Mounting holes and overall dimensions are identical for Left and Right options.



VINTAGEVIEW[®]
MOVING WINE STORAGE FORWARD

4690 Joliet St., Denver, CO 80239 | phone: 866.650.1500 | fax: 866.650.1501 | VintageView.com

For product warranty information, please visit vintageview.com/warranty