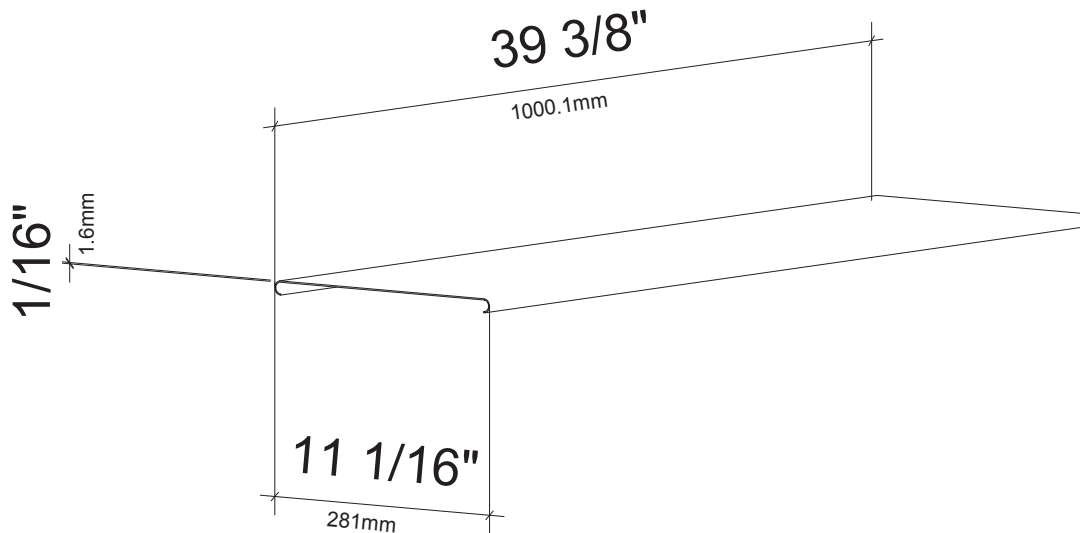
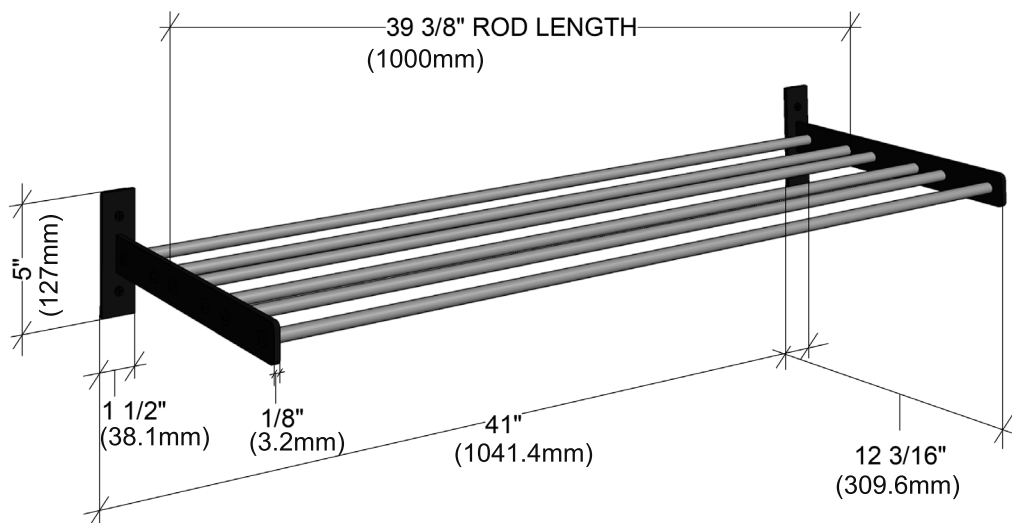


# Evolution Shelf

Spec Sheet for (WW-SH-3D)



To complete shelf, snap to Wine Wall 5" (WW-053),  
or any tripe bottle depth Wine Wall Racking



1/2" THICK RODS  
(12.7mm)

Holds 25 pounds in drywall;  
50 pounds in wood/post



VINTAGEVIEW®  
MOVING WINE STORAGE FORWARD

4690 Joliet St, Denver, CO 80239 | phone: 866.650.1500 | fax: 866.650.1501 | [VintageView.com](http://VintageView.com)

For product warranty information, please visit [vintageview.com/warranty](http://vintageview.com/warranty)